

General description

The N1hKSW 6W family of switch mode power supplies delivers typically 6W output and features wide-range input (94-264V), small size and light weight.

Typical applications are electric equipment for use in household- and information technology equipment area such as field bus systems, heat controllers, jalousie drivers supply of DC -motors etc.



Features

- **Wide input range (94-264V)**
- **Output voltage fixed (3,3V - 24VDC)**
- **Output voltage stability $\pm 3\%$**
- **Output power typically 6W(max 1A)**
- **High efficiency**
- **Protection class II**
- **Short circuit proof**
- **Manufacturing according to ISO 9001**
- **Compact form factor**
- **Small size**
- **Wide operating temperature range (-25 to +50°C)**
- **Terminal version**

The unit is designed to fit into standard flush boxes and can be mounted onto wood-surfaces or materials with unknown flammability with screws. The connection to mains and to the customer unit is realised with terminals.

Test standards and approvals

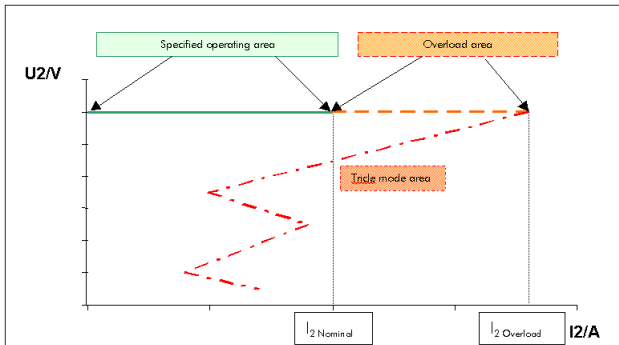
Test standards	Approvals
EN 60950 EN 61558-1 EN 61558-2-17 EN 61000-6-1 EN 61000-6-3	CE

Input Parameter	Min	Typ	Max	Unit
Input voltage	94		264	V
Input current		70-170		mA
Input frequency	47		63	Hz
Efficiency	60		80	%

Output Parameter	Min	Typ	Max	Unit
Output Voltage	3,3		24	V
Output voltage tolerance			3	%
Output power			6	W
Output current			1000	mA
Ripple voltage RMS		200	500	mV

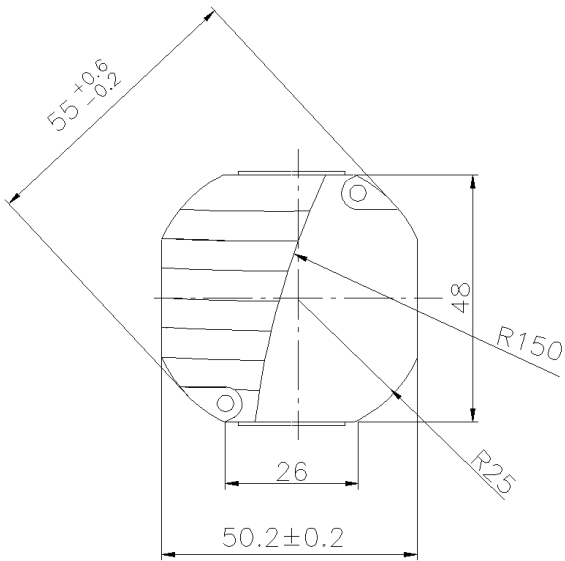
Safety and Environmental Conditions	Min	Typ	Max	Unit
Dielectric strength	4,2			kVac
Operation Temperature	-25		50	°C
Storage Temperature	-30	25	80	°C

Reliability	
MTBF according SN29500	1.700.000 h at 50°C ambient temperature and max load conditions

Typical output chart

Terminal version

Dimensions

Dimensions	Length	Width	Diameter	Height	Unit
N1hKSW	50.2	48	55	24	mm


Typical terminal position
