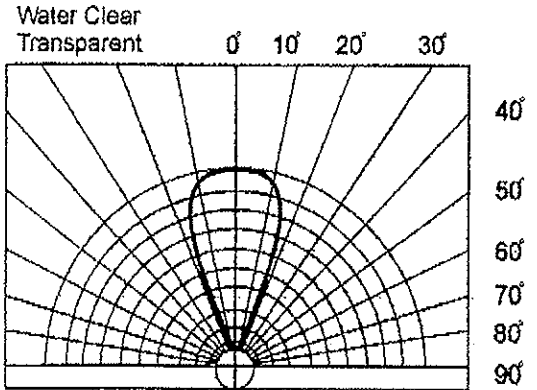
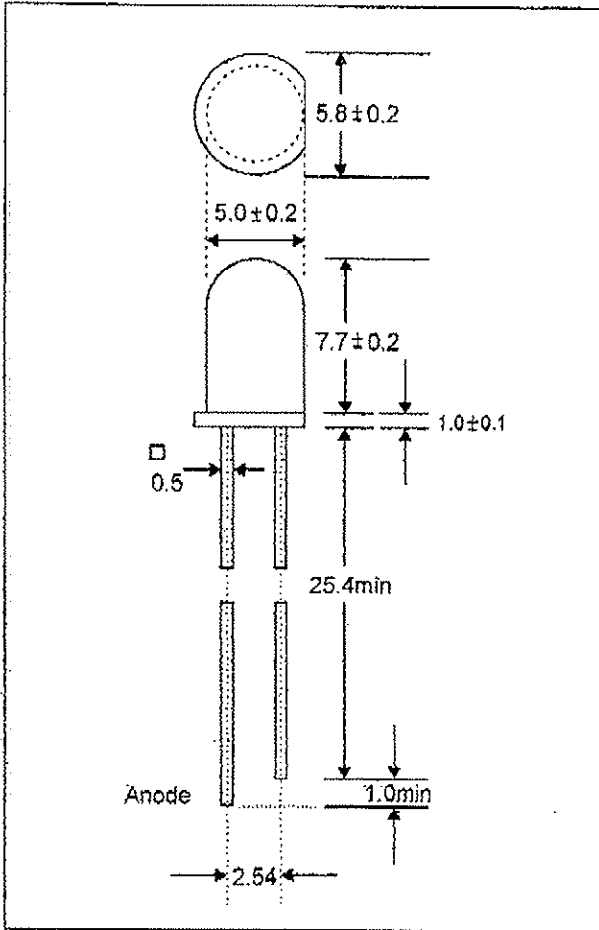


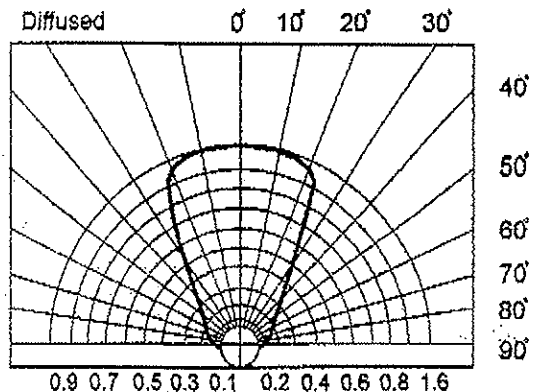
L-513XX SERIES

5mm, Round Type Pink LED

PACKAGE DIMENSIONS(unit: mm)



SPATIAL DISTRIBUTION



SPATIAL DISTRIBUTION

ABSOLUTE MAXIMUM RATINGS:(Ta=25°C)

| | |
|-----------------------------|-----------------------|
| Reverse Voltage | : 5 Volt |
| Reverse Current(Vr=5V) | : 10uA |
| Operating Temperature Range | : -40°C to+85°C |
| Storage Temperature Range | : -40°C to+100°C |
| Lead Soldering Temperature | : 260°C for 5 Seconds |

PART SELECTION AND APPLICATION INFORMATION(RATINGS AT 25°C AMBIENT)

| PART NO. | CHIP | | | LENS COLOR | Absolute Maximum Ratings | | | | Electrical-Optical Characters | | | | | | Viewing Angle (deg) |
|----------|----------|-------------------------|----------------|-------------|--------------------------|---------|---------|-------------|-------------------------------|------|------|------------|---------|------|---------------------|
| | Material | PEAK WAVE Length λp(nm) | Emitting Color | | Δλ (nm) | Pd (mW) | IF (mA) | Peak If(mA) | VF(V) | | | Rec If(mA) | Iv(mcd) | | |
| | | | | | | | | | Min. | Typ. | Max. | | Max. | Min. | |
| 513PKC | InGaN | | Pink | Water Clear | 20 | 120 | 30 | 100 | 2.9 | 3.3 | 3.6 | 10-20 | 2300 | 2800 | 30 |