



Key features

- ◆ Distinctive 'retro' styling with contemporary construction
- ◆ High performance at affordable price
- ◆ Illumination option

Audio Level Meter

Type AL20SQ

The AL20SQ Audio Level analogue panel meter complements the proven and popular Presentor series. The meter offers a performance not significantly different from full specification vu meters to meet today's specific audio market requirement for both quality and distinctive 'retro' styling at an affordable price.

Features and benefits

- ◆ Available in one popular size with front of panel mounting and secured by four fixing screws.
- ◆ Constructed with gloss black phenolic moulded front with glass window and high impact translucent rear body moulding.
- ◆ Taut band core magnet movement incorporated as standard. This rugged movement makes these meters equally suitable for portable or fixed audio applications. There is no calibration effect when mounted on a ferrous panel.

Specification

A low range ac voltmeter offering a performance close to that of a full specification vu meter. Please refer to back page for full details.

Pointers and dials

The combination of 'pear' shaped pointer and conventional arc scale on translucent buff coloured dial results in an easily read meter, even when monitoring a row on a large console.

A white dial can be specified if required. The standard scale is based on the vu 'A' scale as illustrated in the above photograph but the 'B' scale with the 'percent' reading at the top can be supplied to order at no extra cost.

Zero adjuster

Positioned on the rear as standard.

Certified drawings

Available on request.

Operating Temperature

-25°C to +55°C.

Illumination

This option is available. Please refer to back page for more information.

Terminals

Flying leads 125mm/5" long are standard but 6mm tabs are available. Please refer to back page for more information.

AL 20 SQ

Audio Level Meter

Specification

A low range ac voltmeter suitable for connecting across a 600 ohm line and self contained except for requiring an external 3.6k ohm resistor. Calibrated for use with a 3.6k ohm resistor 4vu above the scale marking so that the reference deflection (0vu) is produced by a signal 4vu above 1mW in 600 ohms (1.228v).

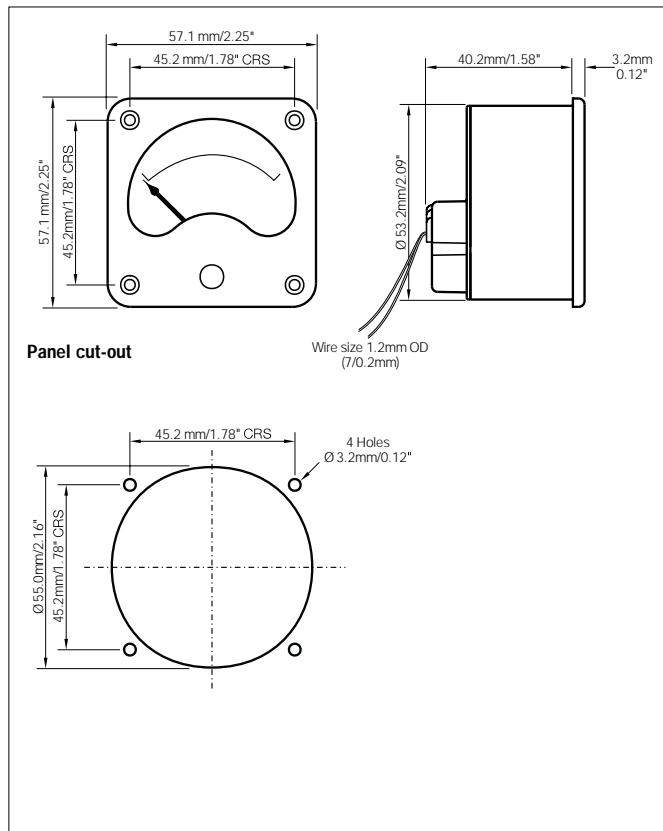
The performance of the meter is based upon the requirements of BS 6840: Part 17:1991, IEC 268 - 17: 1990. The dynamic characteristics quoted, which requires the response time to 99% of reference deflection (0vu) to be 0.3 seconds +/-10% with an overshwing of at least 1.0% but not more than 1.5% are not fully met.

The overshwing, because damping is not so tightly controlled but allowed to spread within normal design restraints, can vary between deadbeat to 5%. To specify the dynamic characteristics in terms of time to 99% of 0vu under such circumstances would give an unrepresentative measure of the speed of response. For this reason the time to reach -3vu with a steady reading of reference deflection (0vu) has been taken as a more realistic measure.

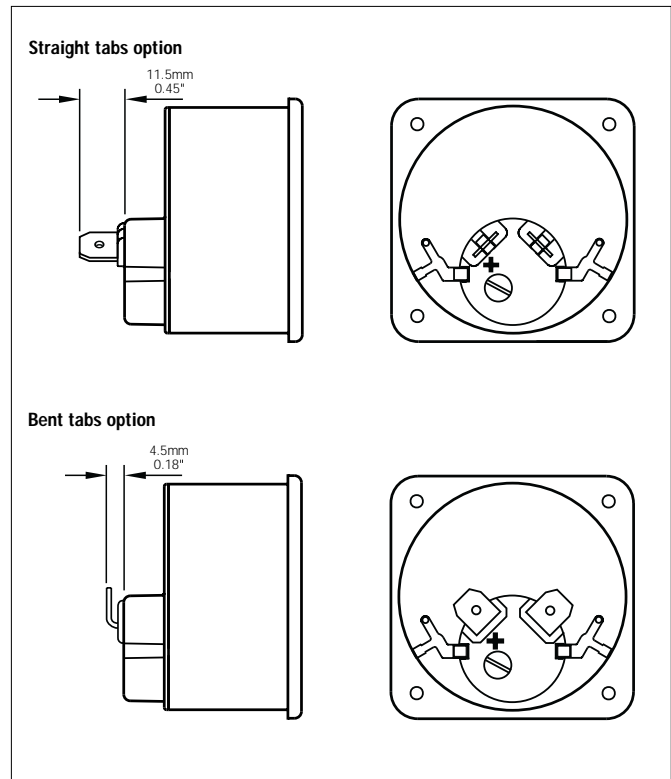
The following comparison can be made based on a rise time to -3vu with steady deflection of 0vu:

IEC013 - 0.15 seconds
AL20014 - 0.18 seconds

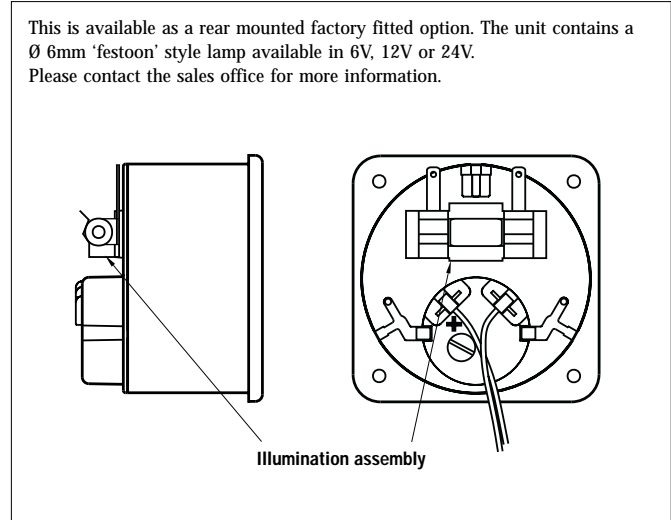
Dimensions



Terminals



Illumination



As part of our policy of continuous product improvement we reserve the right to change specifications at any time.



SIFAM INSTRUMENTS LIMITED
 WOODLAND ROAD TORQUAY DEVON TQ2 7AY ENGLAND
 TEL: 01803 407733 FAX: 01803 407740
 info@sifam.com www.sifam.com



As part of our policy of continuous product improvement we reserve the right to change specifications at any time.